

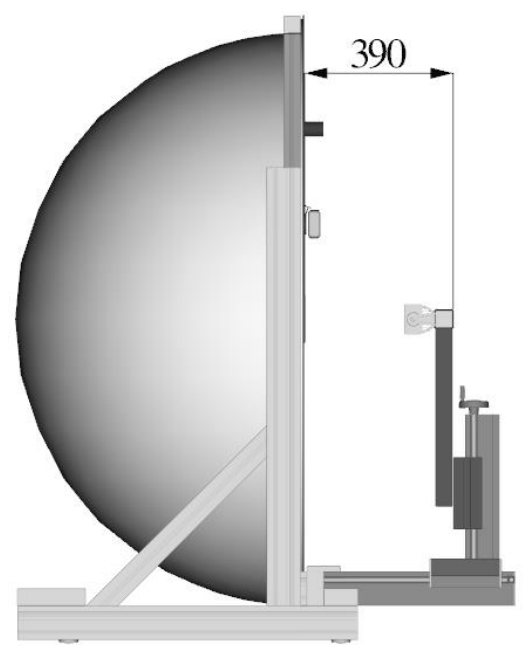
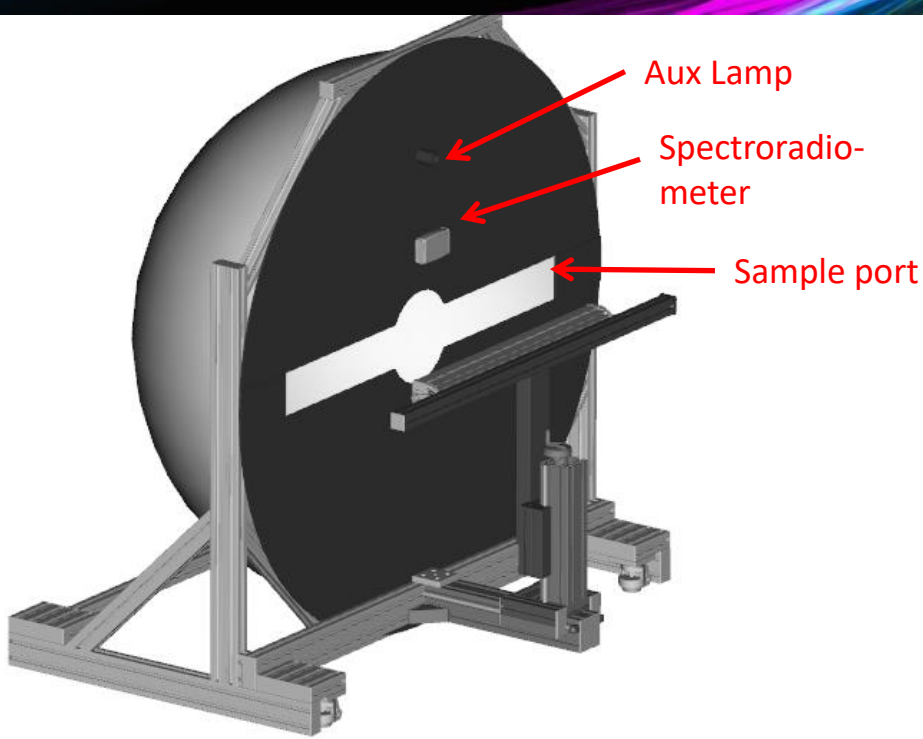
INTEGRATING HEMISPHERE SPECTROMETER

SPECTROPHOTOMETRIC MEASUREMENT SYSTEM

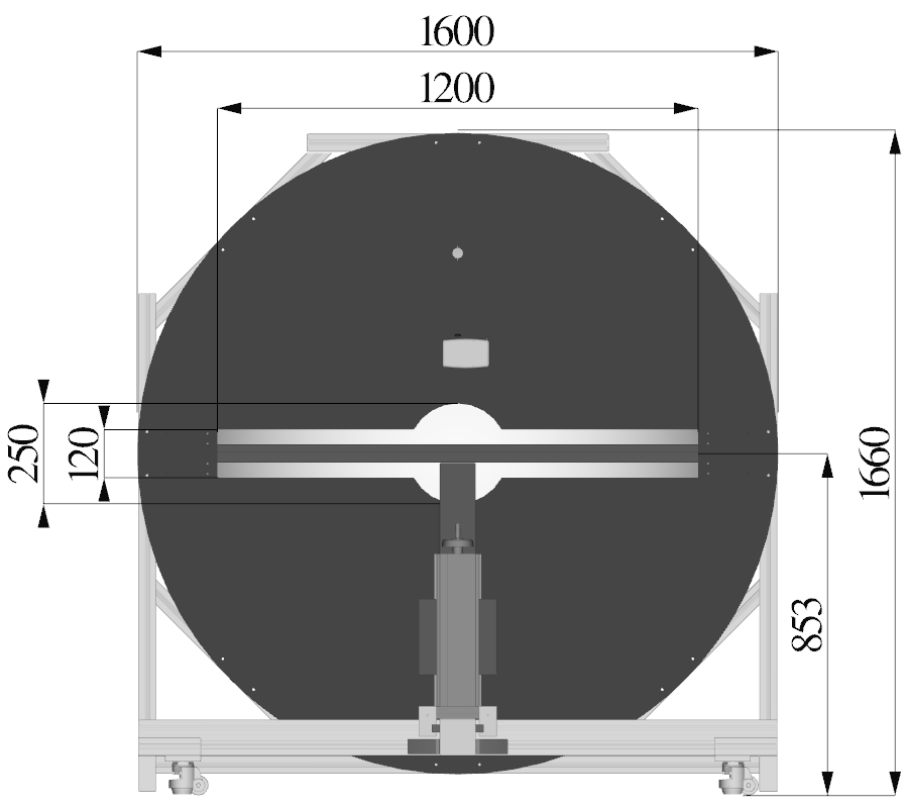
- ✓ Hemispherical light measurements (2π)
- ✓ Total luminous flux and efficacy
- ✓ Total spectral radiant flux
- ✓ Correlated color temperature CCT (K)
- ✓ Color rendering index CRI
- ✓ Color fidelity index Rf and gamut index Rg according to TM30-18
- ✓ Color coordinates CIE1931 xy , CIE 1960 uv , CIE1976 $u'v'$
- ✓ Peak wavelengths of (multi-)LED sources
- ✓ Wavelength bandwidths
- ✓ Flicker according to IEEE 1789
- ✓ Pst LM and SVM flicker



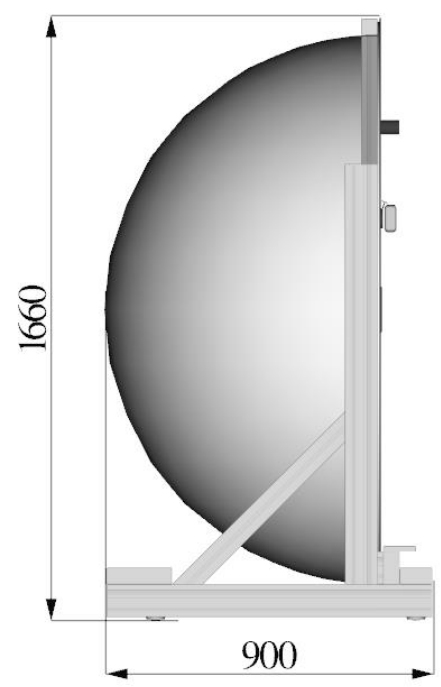
INTEGRATING HEMISPHERE SSL SPHERE 150



Adjustment range for sample

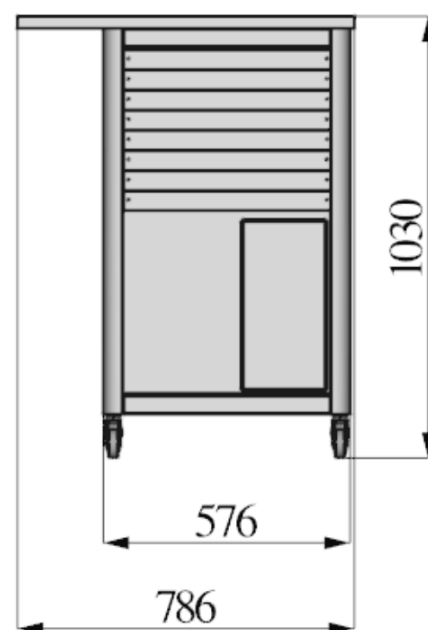
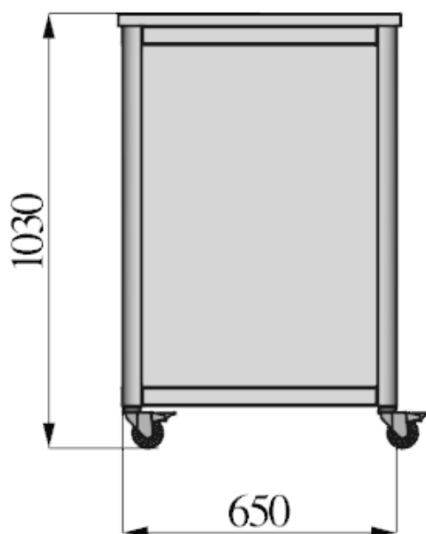
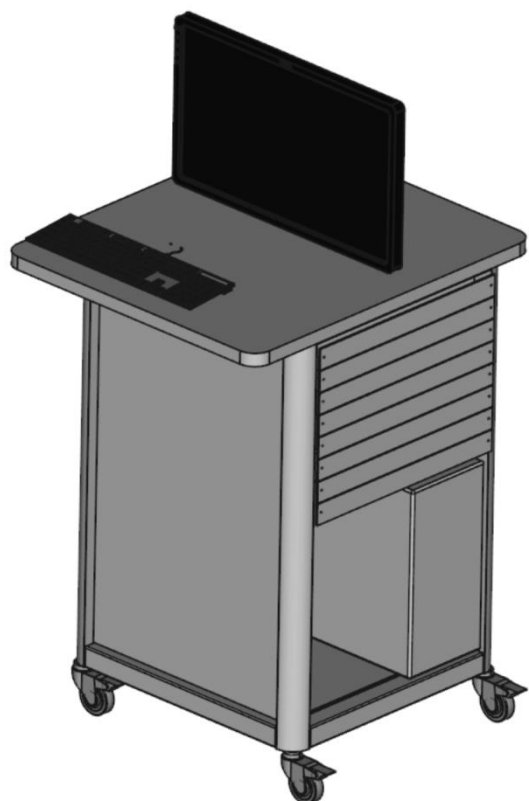


Dimensions of sample port and total width.



Transportation dimensions

MOBILE RACK CABINET SSL RACK-2



- 19" rack holder with Computer container and table for display
- 8U space for positioning all required power supplies
- Shelf for computer
- Lockable wheels
- Size: 78 cm x 67 cm x 103 cm
- Weight: 24 kg
- Total weight with DC power supply, computer and display approximately ~47 kg

SPECIFICATION – SSL SPHERE 150

Product Code	SSL IHS-1500
Application area	General lighting sources and automotive lighting sources with hemispherical light output
Electrical device integration	The measurement carrier includes electrical device rack holder. The rack holder is of size 19" rack integration with unoccupied 8U space for AC/DC power supply / meter)
Height, Width, and Length	1.7 m, 1.3 m, 1.6 m, 120 kg
Sphere inner diameter	150 cm
Material	Aluminum with BaSO4 coating
Height of optical axis	Approximately 85 cm
Test port opening (Max size of luminous area of DUT)	Option 1. 120cm x 12 cm, / r = 250mm Option 2. 45cm x 45cm Other: please contact us for customization
Auxiliary light source	LED
Spectrometer	SPEKTRI 80
Measurement parameters	Luminous flux (lm), Luminous efficacy hV, (lm/W), Input power PIN, (W) Color coordinates x,y and u'v' CCT and CRI, TM30-18 color rendering index Spectral power distribution, Total spectral radiant flux, optical power, Wall-plug efficiency, Efficacy of radiation spectrum Peak wavelengths, bandwidths and effective wavelengths of each wavelength bands, SDCM value corresponding MacAdam ellipse from the target color point PAR values; $\mu\text{mol/s}$ values Flicker Index, Modulation index, Flicker frequency, Flicker risk (IEEE-1789)
Luminous flux measurement range	10 – 100 000 lm

OPTIONS

- ✓ Computer controllable DC / AC Power supply

