

LIGHT TESTER 100

TURN-KEY SYSTEM FOR QUALITY CONTROL OF LUMINAIRES

- ✓ Ground bond (GB) and Insulation resistance (IR)
- ✓ Luminous flux, Color temperature (CCT)



Features:

- ✓ Test sequence < 10 seconds
- ✓ Operator safety: Light curtain integrated
- ✓ Automatic sticker printout
- ✓ DALI linearity check PENDING

Additional parameters:

- ✓ Safety Test: AC/DC HiPot
- ✓ CRI, SDCM, Spectrum, Wavelength, PPFD
- ✓ Flicker
- ✓ Input power, Voltage, Current, Power factor, Surge current

LIGHT TESTER 100

TEST TABLE

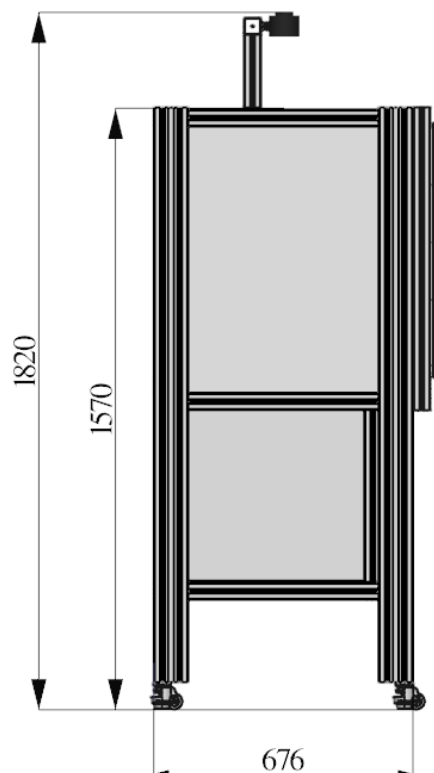
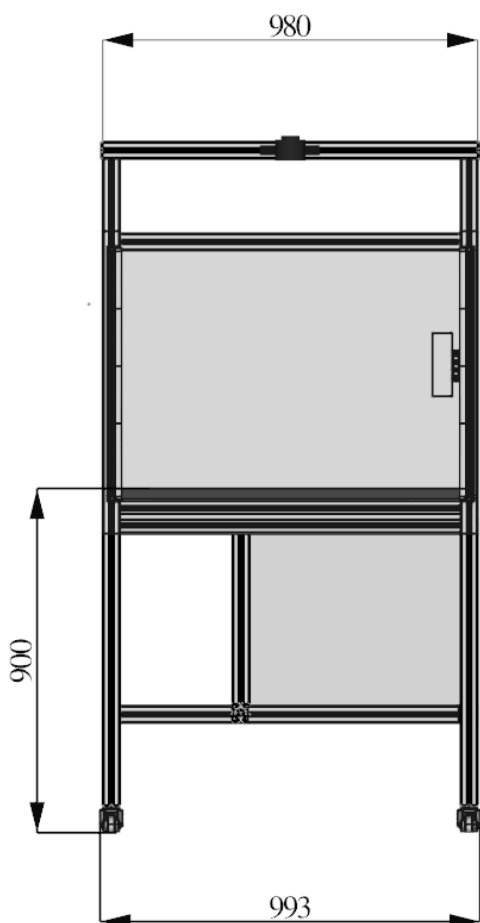
- ✓ Wooden table top
- ✓ Display and keyboard holder
- ✓ 19" inch rack integration for DC and AC power supply equipment
- ✓ Mounting adapters for down-lights, park-lights etc.

TESTING EQUIPMENT

- ✓ IR & GB Safety test equipment
- ✓ Tristimulus colorimeter with flicker SSL C-400

Optional:

- ✓ Spectroradiometer SPEKTRI 80
- ✓ Luminance camera for checking individual LEDs / Luminance
- ✓ AC and DC power supply
- ✓ 4 in 1 tester for AC/DC Hipot



LIGHT TESTER 100

TESTING OF PARK LIGHTS

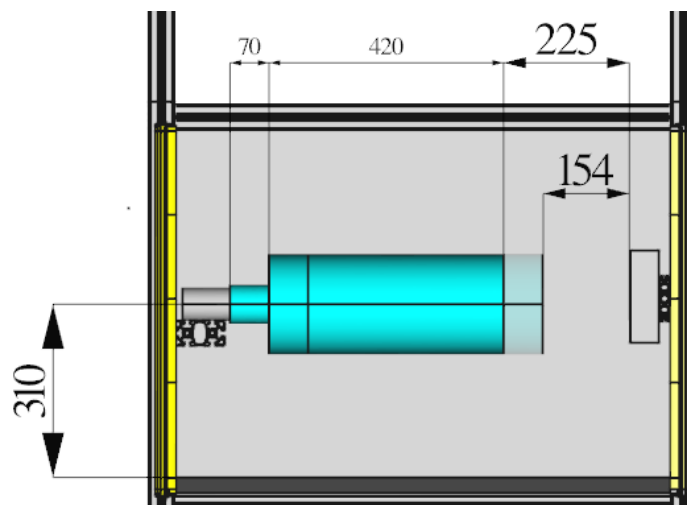
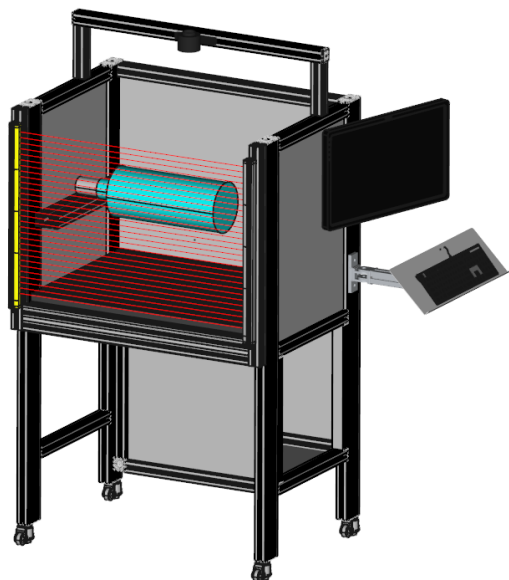


Fig. Mounting space for park-lights

TESTING OF DOWN /LINEAR LIGHTS

- ✓ Platform for using Plastic plate with different holes for different sizes of downlights
- ✓ Adjustment mounts for linear lights

